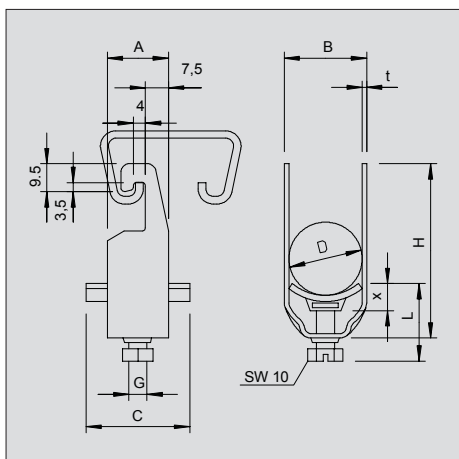
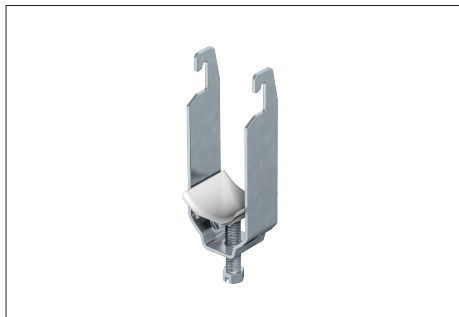


## Clamp clip, double, plastic pressure trough



Suitable for all C profile rails with slot width 18 and 22 mm. Also suitable for flat, angle and U steel of 4 - 12 mm material thickness.  
BBS clamp and bolt made of hot-dip galvanised steel. Polypropylene pressure sleeve, halogen-free, colour light grey RAL 7035.

Type	Clamping range D mm	Pack. pcs	Weight kg/100 pcs.	Item No.
2056U 2 12 FT	8-12	50	2,850	1176 12 9
2056U 2 16 FT	12-16	50	3,050	1176 16 1
2056U 2 22 FT	16-22	50	4,950	1176 22 6
2056U 2 28 FT	22-28	50	6,940	1176 28 5
2056U 2 34 FT	28-34	50	9,500	1176 33 1
2056U 2 40 FT	34-40	50	11,350	1176 40 4
2056U 2 46 FT	40-46	50	11,350	1176 46 3
2056U 2 52 FT	46-52	50	15,050	1176 52 8
2056U 2 58 FT	52-58	50	19,800	1176 58 7

St Steel FT Hot-dip galvanised



### Important dimensions, clamp clip

EN	A	B	C	G	t	x	H	L
mm	mm	mm	mm	mm	mm	mm	mm	mm
8-12	20	16	34	M6	1,5	5	56	34
12-16	20	20	34	M6	1,5	5	64	34
16-22	20	27	34	M6	1,5	5	77	47
22-28	20	33	34	M6	2	5	89	47
28-34	20	39	34	M8	2	5,5	103	44,5
34-40	20	45	34	M8	2	5,5	115	44,5
40-46	20	51	40	M8	2	5,5	128	44,5
46-52	20	57	40	M8	2	6,5	140	45,5
52-58	20	64	40	M8	2,5	6,5	152	45,5